



SMD Coils

RFID Transponder Coils - TC4308I Series / RFID 无线辨别感应器线圈

RFID Transponder Coil Features

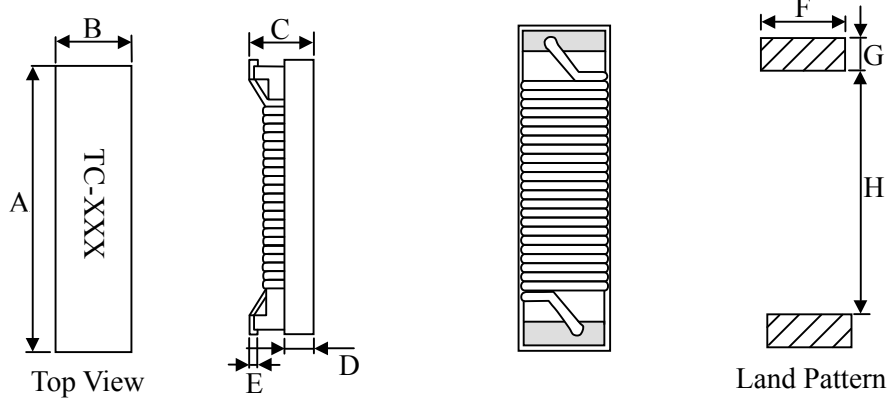
High Q value.

Low profile with an extended length.

Applications

Car remote control key.

RFID Transponder Coil Configurations & Dimensions (unit: mm)



Type	A	B	C	D	E	F	G	H
TC4308I	11.43	3.15	2.74	1.01	0.51	2.79	1.78	8.46

Note: Design as Customer's Requested Specifications.

RFID Transponder Coil Electrical Characteristics for TC4380I Series

Part Number	Inductance (mH)	Q (min)	Test Freq. (KHz)	SRF (KHz)(min)	DCR (Ω)(max)
TC4308I - 401J	0.40	15	125	4500	7.4
TC4308I - 901J	0.90	15	125	4000	22
TC4308I - 112J	1.08	15	125	4000	25
TC4308I - 202J	1.97	17	125	2400	34
TC4308I - 242J	2.38	17	125	2200	39
TC4308I - 332J	3.30	17	125	1800	51
TC4308I - 412J	4.15	17	125	1700	74
TC4308I - 492J	4.90	17	125	1300	96
TC4308I - 682J	6.80	17	125	1000	112
TC4308I - 712J	7.10	17	125	1000	115
TC4308I - 812J	8.10	17	125	960	123

Note: Test Freq.: 125KHz / 0.25V. Operating Temp.: -40°C+85°C.

How to Order

TC4308I	-	401		J
❶		❷		❸

❶ Coils RFID Transponder

❷ Inductance

❸ Tolerance

Code	Tolerance
J	5%
K	10%
M	20%