



Filters

LTZ for AM Ceramic Filters / 陶瓷滤波器

LTZ Filter are designed to address the needs of standard AM filtering requirements and are recommended for use in low cost products where economically, efficient designs are critical.

▶ LTZ Series for AM (Murata SFZ Series Compatible)

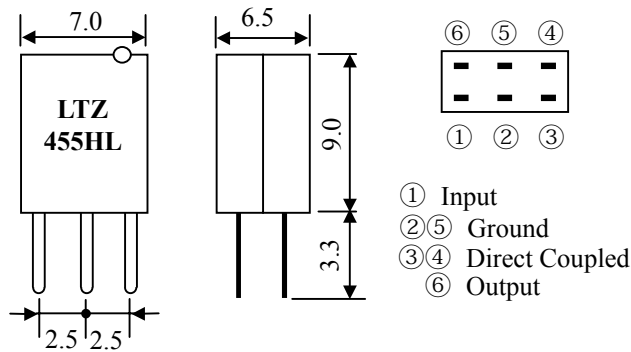
450 kHz ~ 470 kHz

Ceramic LTZ Filters Technical Characteristics

Part Number	Center Frequency (fo) (kHz)	3dB BandWidth (kHz)	Selectivity ±9kHz off (dB) min	InsertionLoss (dB)	Composition
LTZ455HL	455.5±2.0	4.0±1	23	7	2 elements direct coupling type
LTZ455JL	456.0±2.0	5.5±1	18	7	

- Center Frequency (fo) is available in a range of 450 ~ 470kHz.
- The nominal frequency tolerance is ± 2kHz.

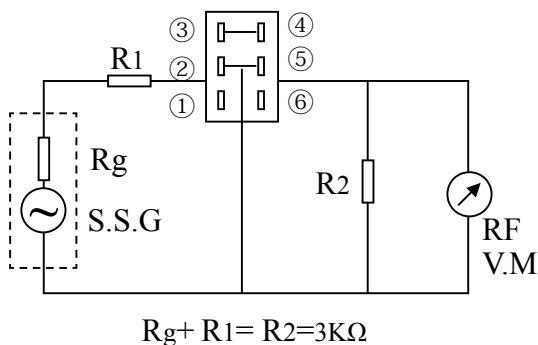
▶ Ceramic LTZ Filter Dimensions



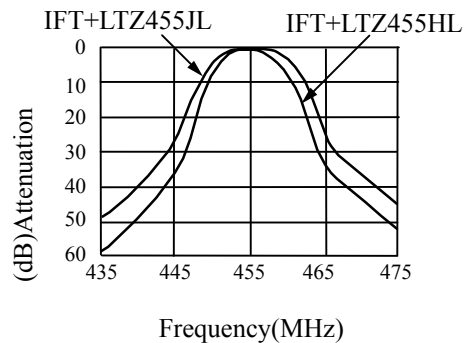
▶ Recommended IFT (7mm Square)

Item	LTZ455HL/JL		
Winding Specification	①~②	②~③	④~⑥
 Form bottom	68T	84T	14T
unloaded Qu	90		
Tuning Capacity	108PF		

▶ LTZ Filter Test Circuit



LTZ Filter Characteristics



▶ How to Order



- ① Part Number
- ② Packaging