



Discriminator

Chip Ceramic Discriminators for FM - JTCV10.7M Series / 贴片陶瓷鉴频器

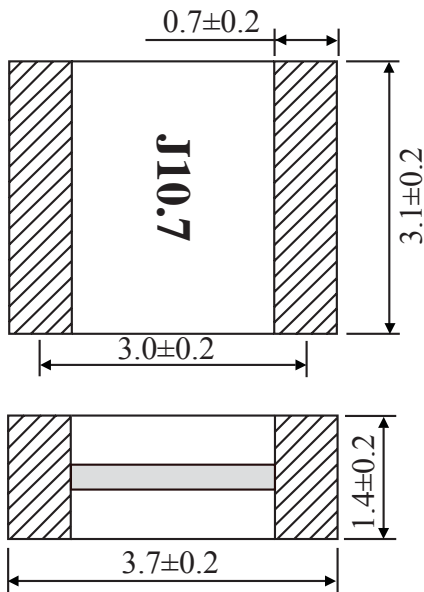
Chip Ceramic Discriminators JTCV10.7M for FM are resonated devices that offer adjustment free audio detection in both wide and narrow bandwidths. These IC dependent devices utilize FM specific detection methods to convert changes in frequency into an intelligible audio signal.

Features

1. Small in size and light weight.
2. High sensitivity and stability.
3. Wide range of standard products are available for various ICs.
4. Operating temperature range: $-20 \sim +80 \text{ }^\circ\text{C}$
Storage temperature range: $-40 \sim +85 \text{ }^\circ\text{C}$

JTCV10.7M for FM receiver

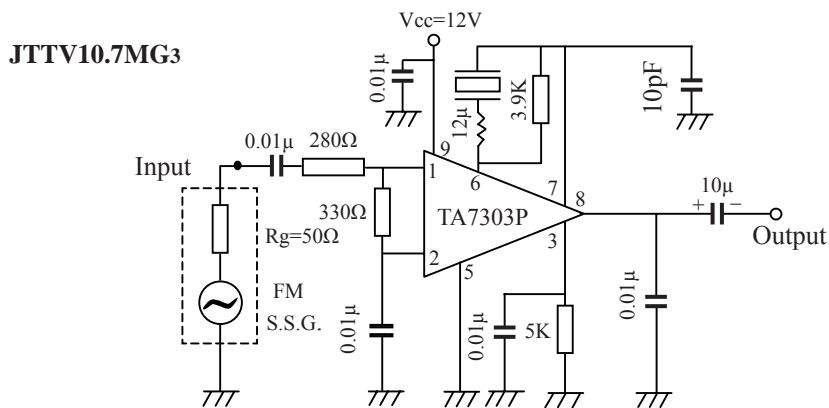
10.7MHz



JTCV10.7M Series for FM Technical Characteristics

Part Number	Demodulation Output at fo (mv) min	Distortion Factor at fo (%) max	Demodulation 3dB Band Width (KHz) max	Applicable IC
JTCV10.7MG1	25	1.0	345	CX-2009, CX-20111
JTCV10.7MG3	650	1.0	± 150	TA7303P, TA7130, μ PC1028H, LA1150
JTCV10.7MG16	60~90	0.9	300	TA8122AN
JTCV10.7MG18	60~90	0.9	300	TA8132N
JTCV10.7MG33	45	0.7	250	TA2007
JTCV10.7MG80	65	1.0	300	TA2104AFN
JTCV10.7MG82	90	0.8	320	TA2099N
JTCV10.7MG92	60	1.0	300	TA2132P
JTCV10.7MC1	35	1.0	242	CXA1019M, CX-20091

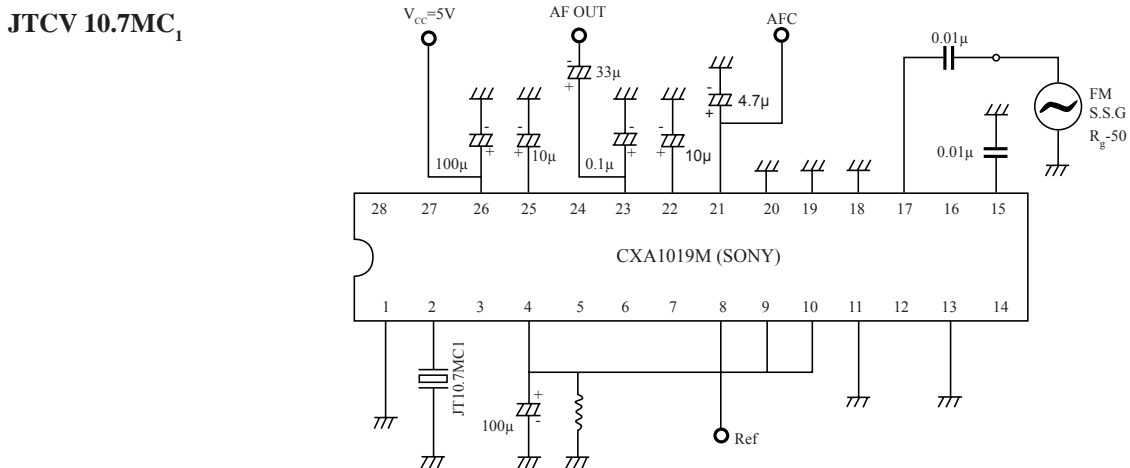
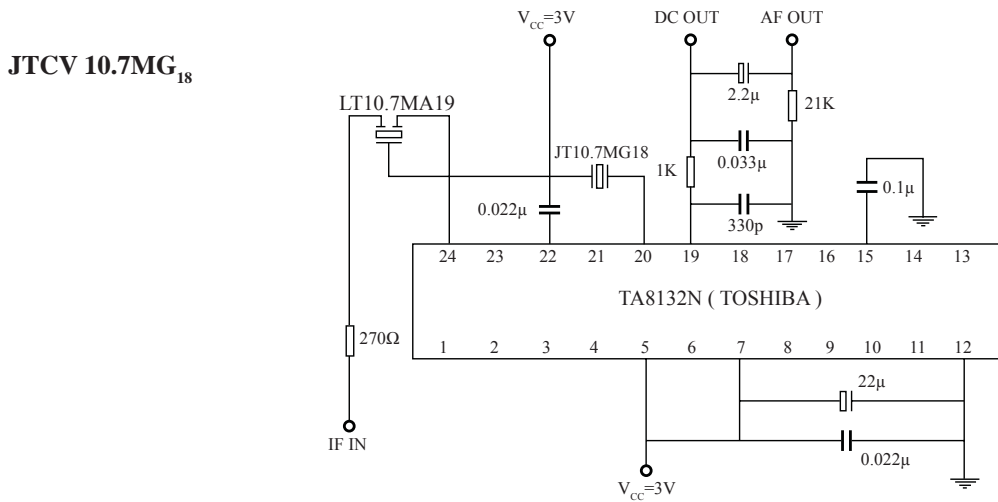
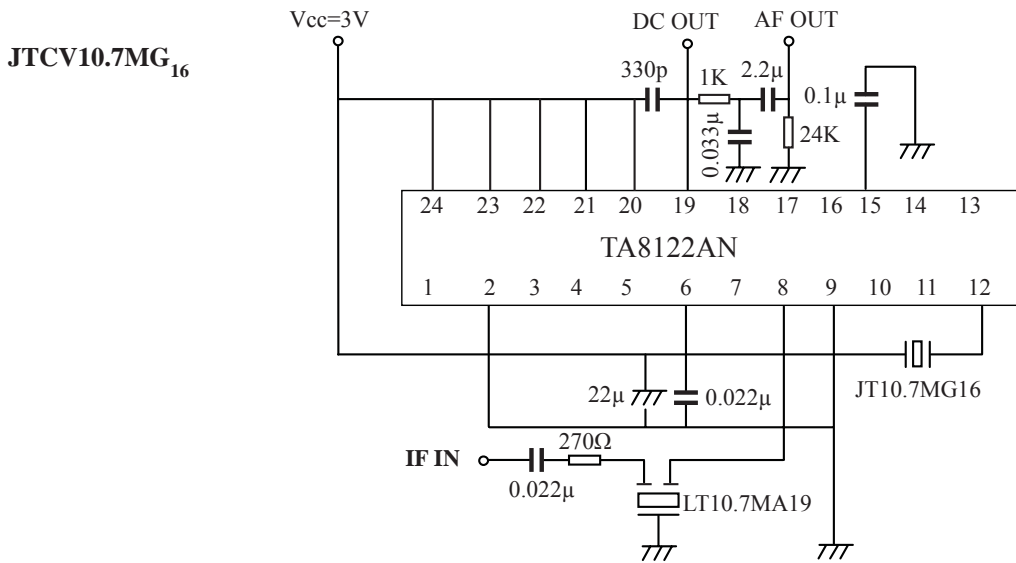
Chip Ceramic Discriminators JTCV10.7M Series For FM Test Circuit





Discriminator

▶ Chip Ceramic Discriminators JTCV10.7M Series For FM Test Circuit



▶ How to Order

JTCV10.7MG3

①

T

②

① Part Number

② Packaging (T: Taping Reel)

